



Sovitron Interior Pvt.Ltd.



**Model Name**

SILAS-K1400 Wall Light/DL-OUC-K1400-10

**Description**

Wall light

**Technical description**

**Image**

**Dimension**

Dia=185mm,H=80mm

**Frame**

Aluminium Die-cast

**Color Tempertaure**

3000K

**Power**

10W

**Total Luminous Flux**

650 lm

**Efficacy**

65 lm/W

**IP rating**

54

**Beam angle**

15°

**Color Rendering**

≥80

**Mounting**

Surface

**Optics**

Opal polycarbonate reflector

**Dimming**

NON-Dimmable

**Operating Voltage**

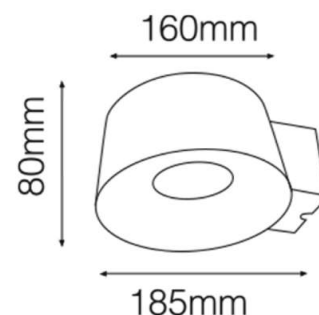
220-240 VAC

**Standard Lifetime**

L70 minimum at 50,000  
burning hours



**Dimension diagram**



**Remarks:-**

Address: Plot #7 Saroorpur-Nangla Industrial Area,Ballabgarh-Sohna Road,Faridabad-121005

Email: info@sovitron.com